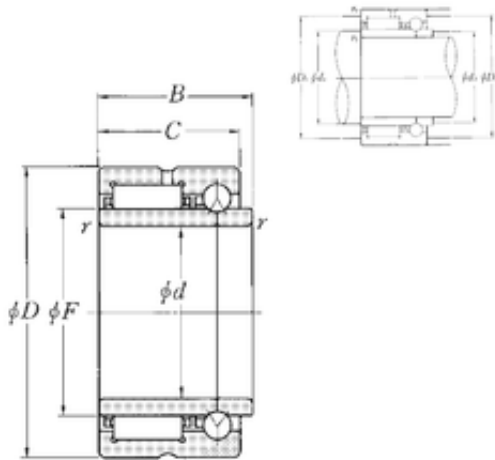


## NTN NKIB5905R Complex Bearing

Bearing No. NKIB5905R



NKIB5905R Bearing 2D drawings and 3D CAD models

Size	25x42x25 mm
Bore Diameter	25 mm
Outer Diameter	42 mm
Width	25 mm
d	25 mm
F	30 mm
D	42 mm
B	25 mm
C	23 mm
r min.	0,3 mm
da min.	27,5 mm
Da max.	39,5 mm
ra max.	0,3 mm
Weight	0,134 Kg
Dynamic load rating radial (C)	24 kN
Dynamic load rating axial (C)	5,15 kN
Static load rating radial (C0)	31,5 kN
Static load rating axial (C0)	9,25 kN
(Grease) Lubrication Speed	8500 r/min